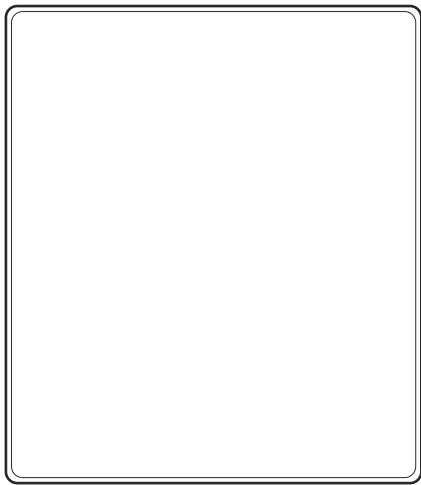
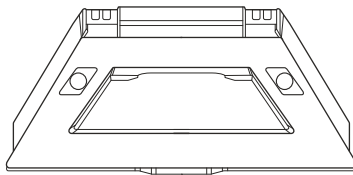


Starlink Mini Kit

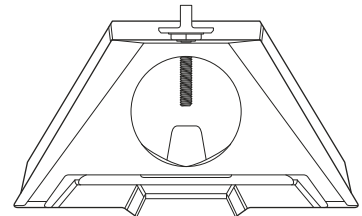
Starlink Mini Kit - What's in The Box



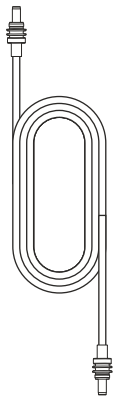
Starlink with integrated WiFi



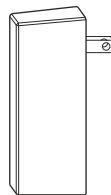
Kickstand



Mini Pipe Adapter & Falt Mount



DC Power Cable
15 m
(49.2 ft)



Power Supply

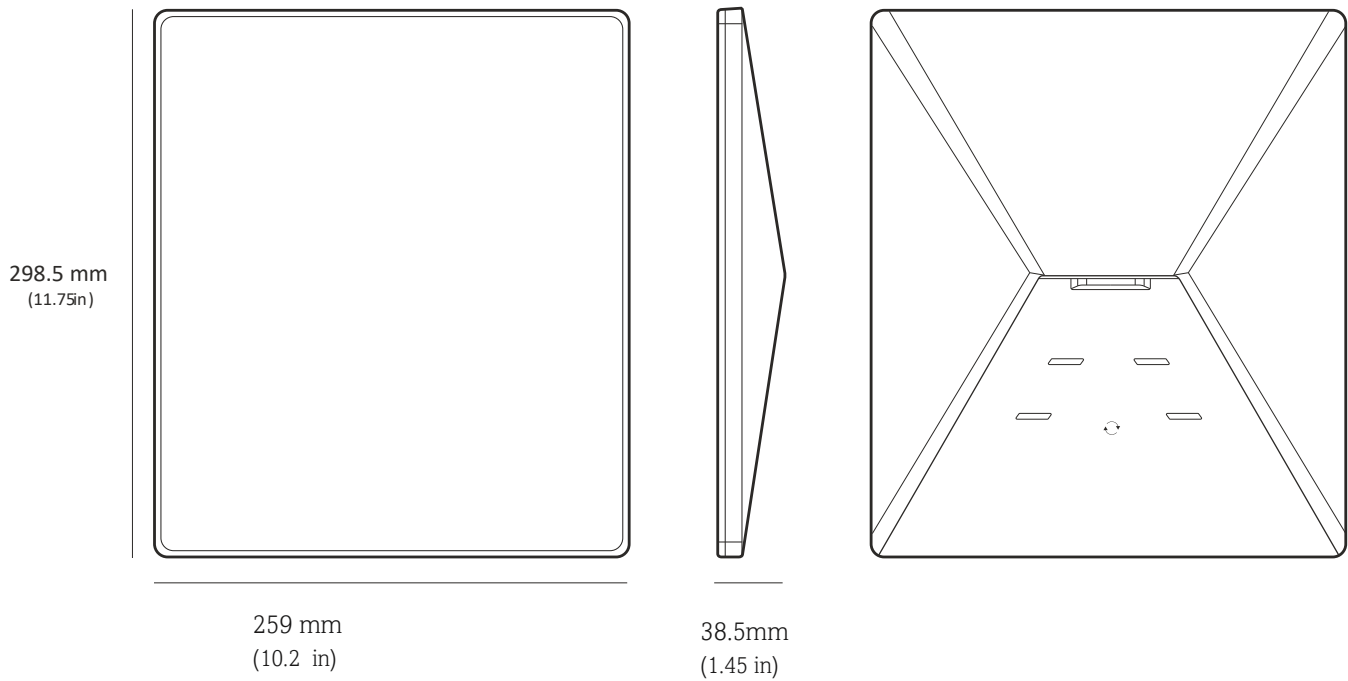


Starlink Plug

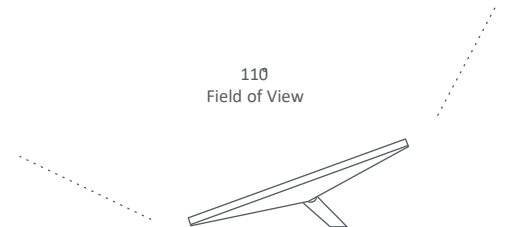
Package Weight: 2.89 kg (6.37 lbs)

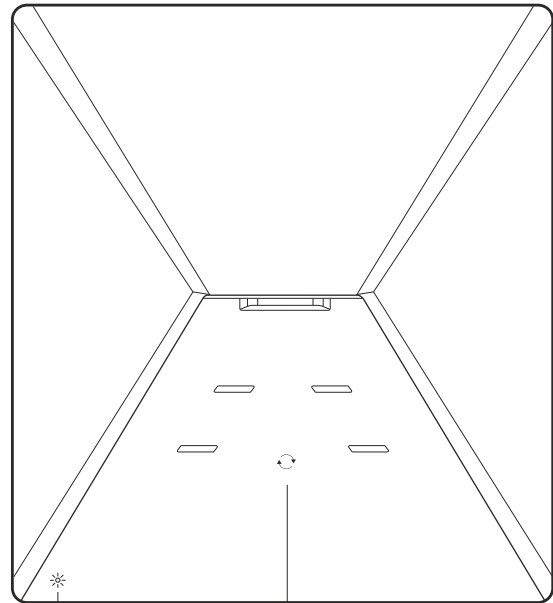
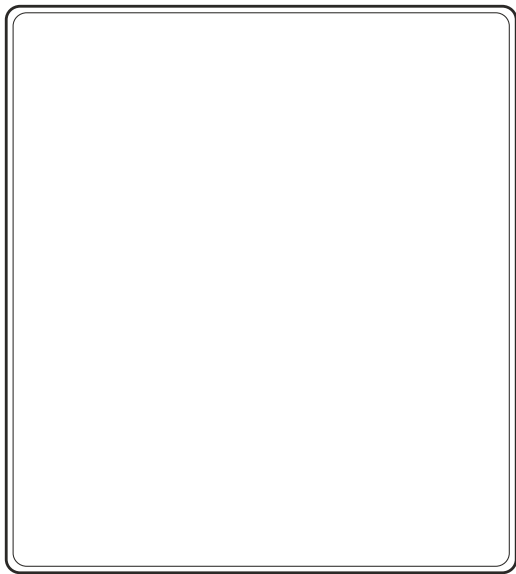
Package Dimensions: 430 x 334 x 79 mm (16.92 x 13.14 x 3.11 in)

Starlink Mini Dish



Antenna	Electronic Phased Array
Field of View	110°
Orientation	Software Assisted Manual Orienting
Weight	1.10 kg (2.43 lb) 1.16 kg (2.56 lb) with Kickstand 1.53 kg (3.37 lb) with Kickstand & 15 m Cable
Environmental Rating	IP67 Type 4 with DC Power Cable and Starlink Plus/Cable Installed
Operating Temperature	-30°C to 50°C (-22°F to 122°F)
Wind Speed	Operational: 96 kph+ (60 mph+)
Snow Melt Capability	Up to 25 mm / hour (1 in / hour)
Power Consumption	Average: 25- 40 W
Input Rating	12-48v 60w
USB PD Requirement	100w, 20V/5A Minimum (with Starlink USB-C to Barrel Jack Cable Accessory)



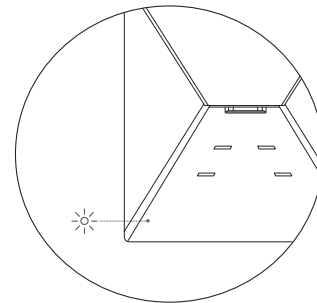


Light

Reset Button

Wi-Fi Technology

802.11a/b/g/n/ac

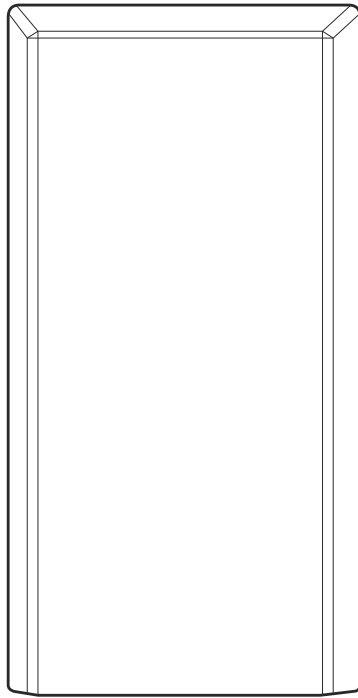


Generation	Wi-Fi 55
Radio	Dual Band 3 x 3 MU-MIMO
Ethernet Ports	One (1) Latching Ethernet LAN port with Starlink Plug Up
Coverage	To 112 m ² (1,200 ft ²)
Security	WPA2
Power Indicator	LED rear face plate, lower left corner
Mesh Compatibility	Compatible with all Starlink mesh systems *Not compatible with 3 rd party mesh systems
Devices	Connect up to 128 Devices

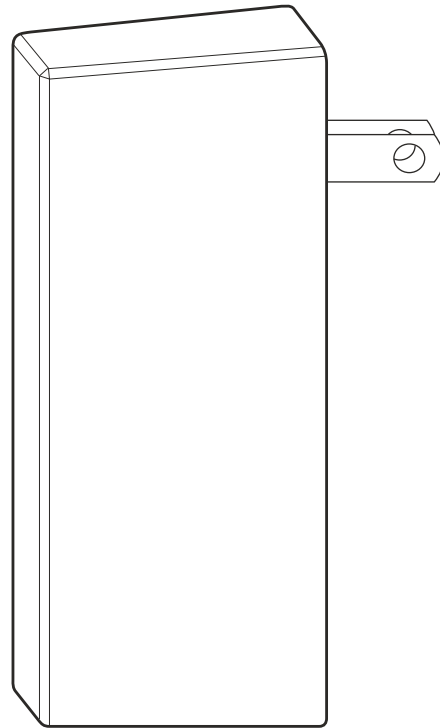
Power Supply



91 mm
(3.6 in)



44 mm
(1.7 in)



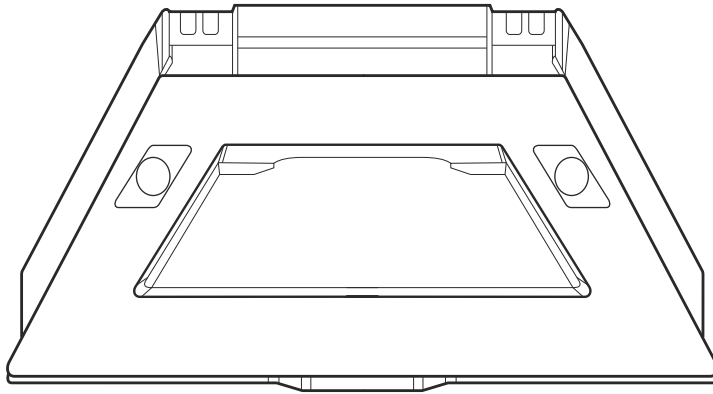
51 mm
(2.0 in)

Product Dimensions	91 x 44 x 51 mm (3.6 in x 1.7 in x 2.0 in)
Weight	0.2 kg (0.44 lbs)
Environmental Rating	IP66 Type 4
Operating Temperature	-30°C to 50°C (-22 to 122°F)
Power Specifications	100-240V ~ 1.6A 50 - 60 Hz

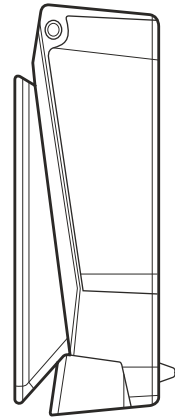
STARLINK

Kick Stand

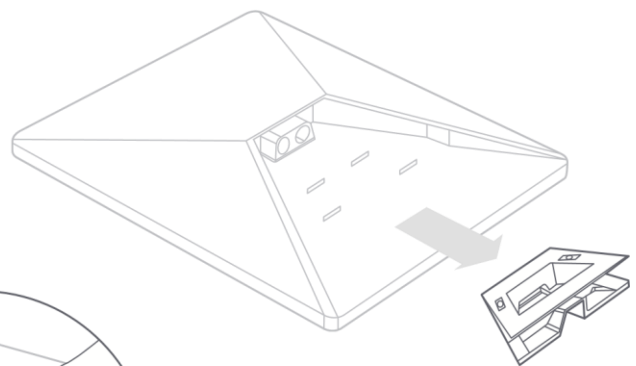
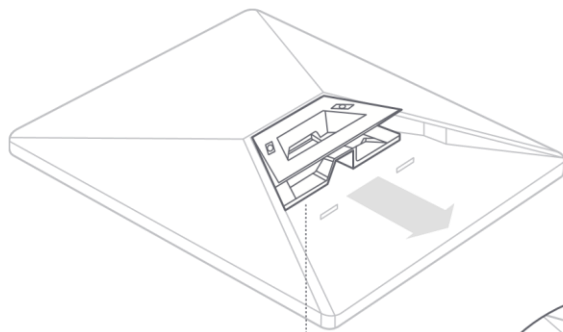
61 mm
(2.4 in)



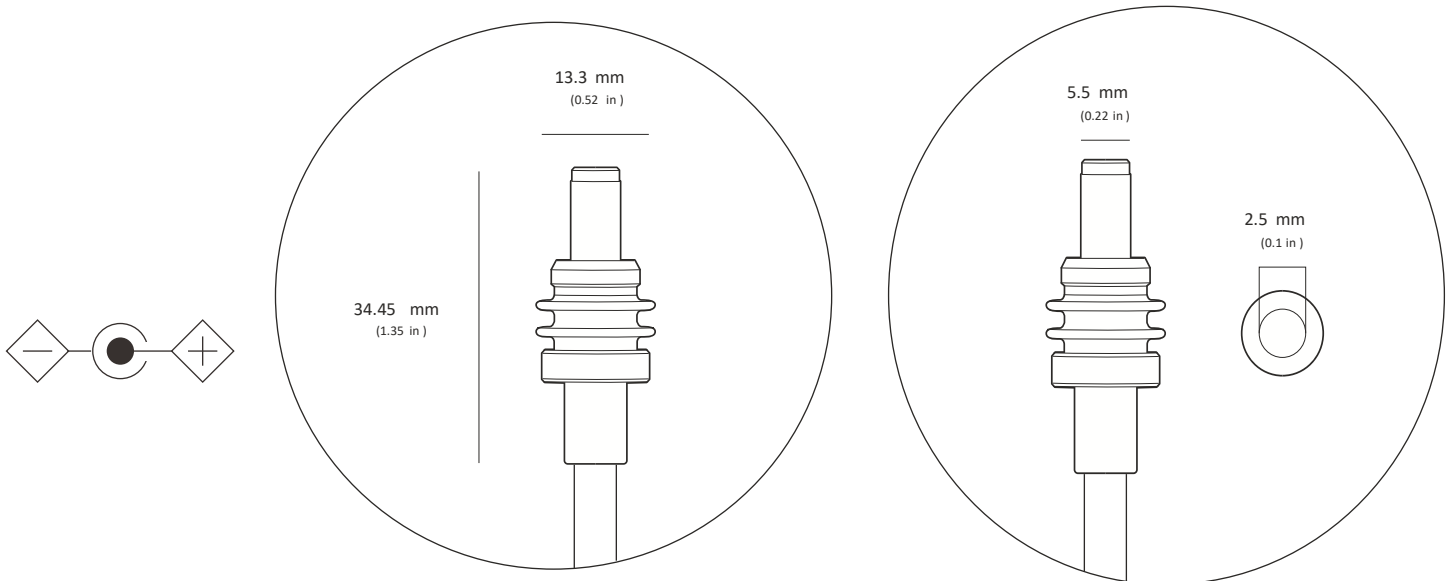
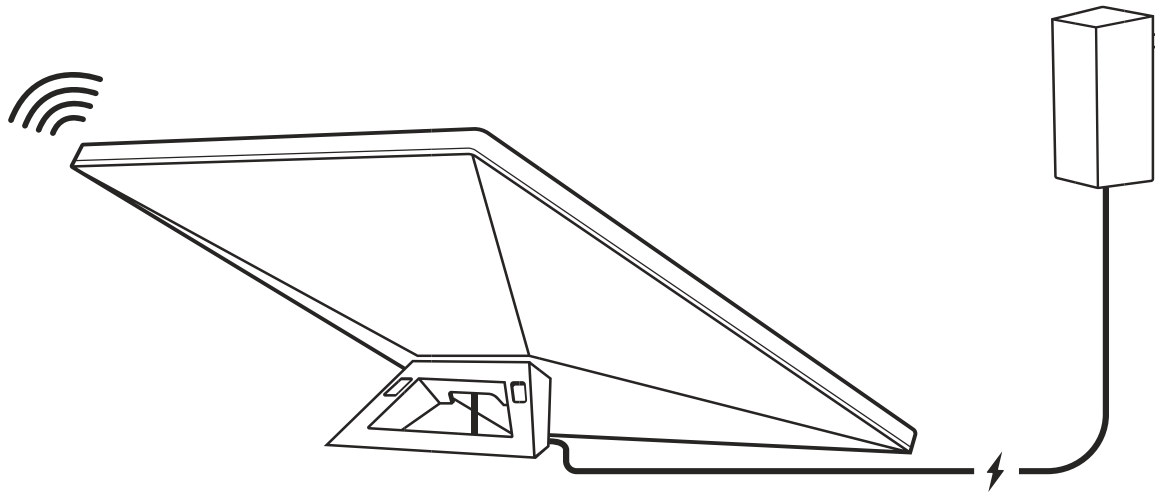
132 mm



25 mm

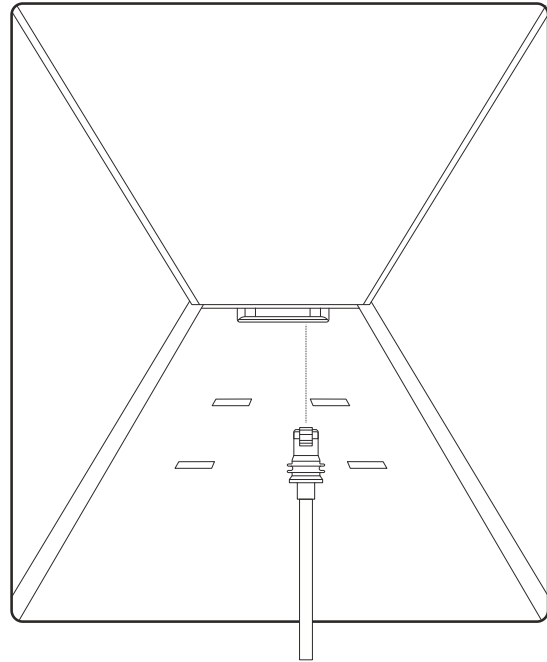
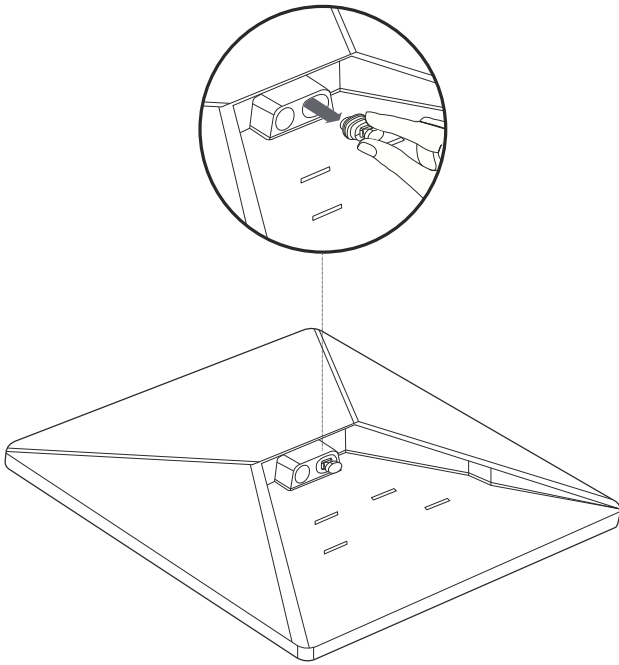


Starlink Cable



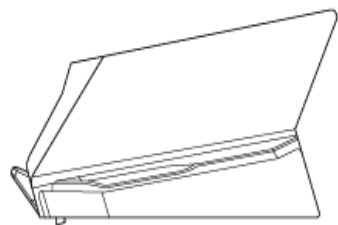
STARLINK

Ethernet Port



*Mini Starlink Cable not included. Available to add on via the new order page. This product is no longer rated IP67 with a standard RJ45 cable.

Pipe Adapter & Flat Mount

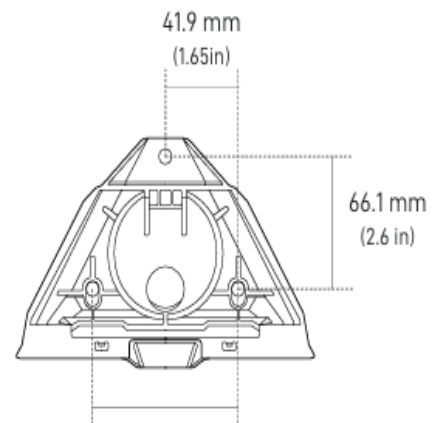


103.5 mm
(4.07 in)

58.1 mm
(2.29 in)



172.7 mm
(6.8 in)



41.9 mm
(1.65 in)

66.1 mm
(2.6 in)

83.9 mm
(3.3 in)